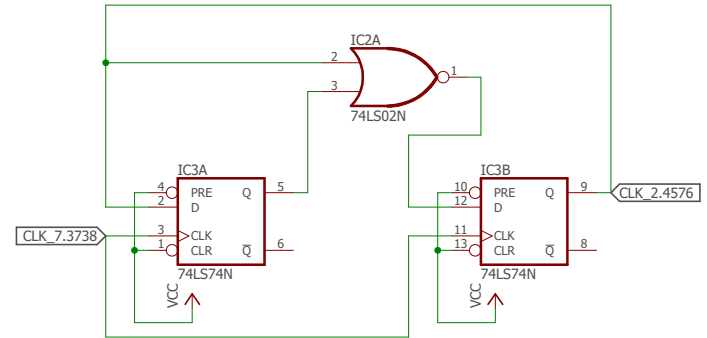


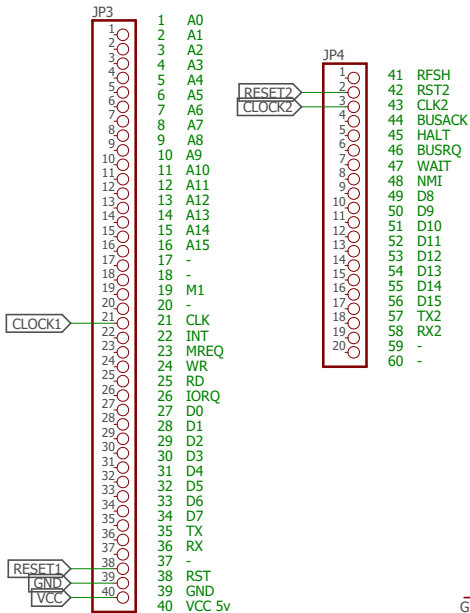
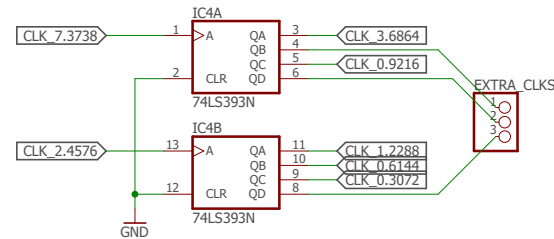
### Fast Clock Generator



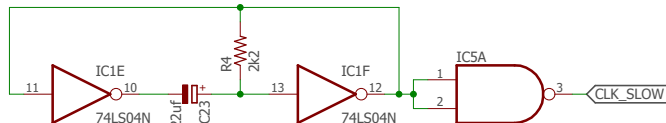
### Clock Divider

Div	Baud	Freq	Label
1	115200	7.3728 MHz	CLK_7.3738
2	57600	3.6864 MHz	CLK_3.6864
3	38400	2.4576 MHz	CLK_2.4576
4	28800	1.8432 MHz	pin1
6	19200	1.2288 MHz	CLK_1.2288
8	14400	921.6 KHz	CLK_0.9216
12	9600	614.4 KHz	CLK_0.6144
16	7200	460.8 KHz	pin2
24	4800	307.2 KHz	CLK_0.3072
48	2400	153.6 KHz	pin3
96	1200	76.8 KHz	-
192	600	38.4 KHz	-
384	300	19.2 KHz	-

pin1 1.8434Mhz = 28800bps  
pin2 0.4609Mhz = 7200bps  
pin3 0.1536Mhz = 2400bps



### Slow Clock Generator



### Manual Clock Generator

